

PSH SERIES

HIGH-RATE RECHARGEABLE SEALED LEAD ACID BATTERIES



UPS



Data Center



Telecomms



Fire & Security

Power Sonic's PSH series of high-rate sealed lead acid batteries have been designed and engineered specifically for high-rate discharge UPS applications.

The high-rate battery series have been constructed to ensure constant, dependable power when used as battery backup or as part of an uninterruptible power supply system. Each 6V and 12V battery in our PSH series has a UL94:V0 flame retardant case and cover. Power Sonic's cutting-edge manufacturing and process control combined with meticulous quality assurance procedures guarantee consistent and dependable performance.

POWER PS SONIC
TRUSTED BATTERY SOLUTIONS

power-sonic.com



PSH SERIES

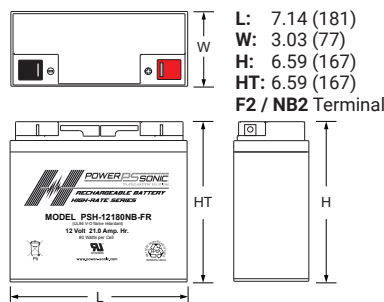
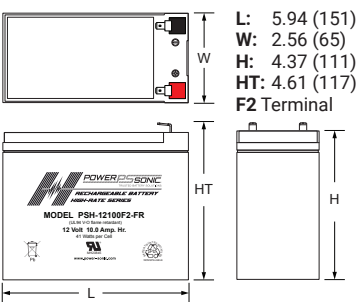
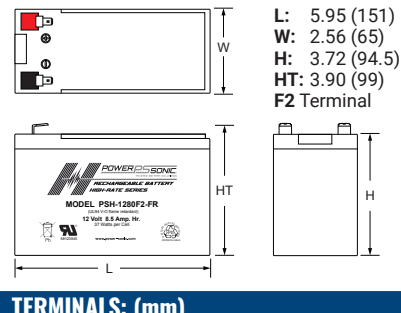
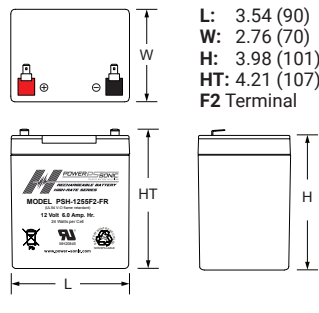
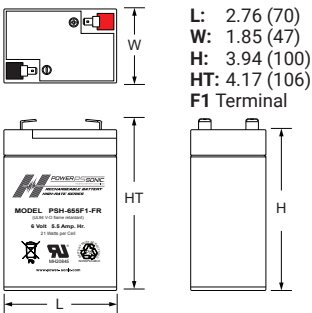
High-Rate Rechargeable Sealed Lead Acid Batteries



FEATURES

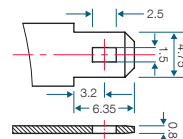
- High-rate VRLA battery
- Absorbent Glass Mat (AGM) technology for superior performance
- Designed specifically for high-rate discharge UPS applications
- Valve regulated, spill proof construction allows safe operation in any orientation (excluding continuous inverted use)
- Rugged impact resistant ABS case and cover flame retardant to UL94:V0
- High rate of charge and discharge
- Exceptionally high energy density

PHYSICAL DIMENSIONS: inch (mm) Tolerances are +/- 0.04 in. (+/- 1mm) and +/- 0.08 in. (+/- 2mm) for height dimensions. All data subject to change without notice.

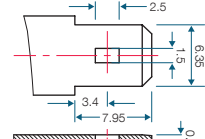


TERMINALS: (mm)

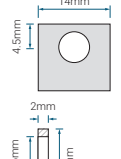
F1: Quick disconnect tabs, 0.187" x 0.032" – Mate with AMP. INC. FASTON "187" series



F2: Quick disconnect tabs, 0.250" x 0.032" – Mate with AMP. INC. FASTON "250" series



NB2: Tin plated brass post with 'Nut & Bolt' fasteners



SPECIFICATIONS

Model	Nominal Voltage	Watts per cell	Rated Capacity (AH)		Approx. Dimensions: inch (mm)				Approx. Weight		Terminal Type				
			20-hr	10-hr	Length		Height		Total Height						
			1.75V/cell	1.75V/cell	inch	mm	inch	mm	inch	mm	lbs.	kgs.			
PSH-655FR	6	21	5.5	4.75	2.76	70	1.85	47	3.94	100	4.17	106	2.1	0.95	F1
PSH-1255FR	12	24	6	5.6	3.54	90	2.76	70	3.98	101	4.21	107	4.0	1.81	F2
PSH-1280FR	12	36	8.5	8.1	5.94	151	2.56	65	3.72	94.5	3.90	99	5.8	2.61	F2
PSH-12100FR	12	41	10	9.3	5.94	151	2.56	65	4.37	111	4.61	117	7.0	3.18	F2
PSH-12180FR	12	80	21	20	7.14	181	3.03	77	6.59	167	6.59	167	13.2	5.99	F2/NB2

GLOBAL HEADQUARTERS (USA AND INTERNATIONAL EXCLUDING EMEA)

Power-Sonic Corporation
 365 Cabela Dr Suite 300,
 Reno, Nevada 89523
 USA
T: +1 619 661 2020
E: customer-service@power-sonic.com

POWER-SONIC EMEA (EMEA – EUROPE, MIDDLE EAST AND AFRICA)

Smitspol 4, 3861 RS Nijkerk,
 The Netherlands
T NL: + 31 33 7410 700
T UK: + 44 1268 560 686
T FR: + 33 344 32 18 17
E: salesEMEA@power-sonic.com

FURTHER INFORMATION

Please refer to our website www.power-sonic.com for a complete range of useful downloads, such as product catalogs, material safety data sheets (MSDS), ISO certification, etc.